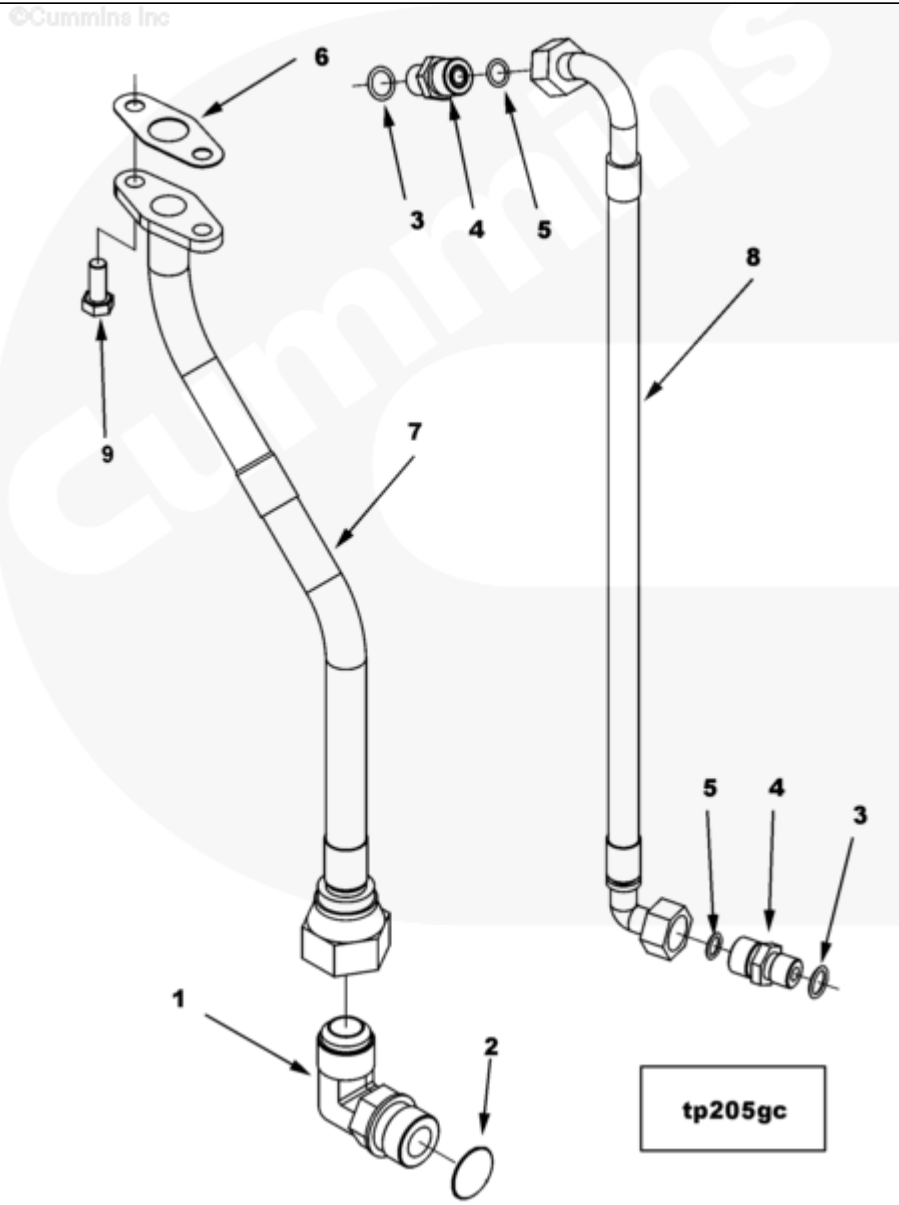




# Parts Catalog - Option Detail

Electronic Parts Catalog - Option Detail				
Option	Group	Graphic	Film Card	Date
TP2832-02	10.06.2	tp205gc	II	26-NOV-12
<b>Engines</b>	ISM CM570, ISM CM570/870, ISM CM875, ISM CM876, ISM CM876 E, ISM11 CM876 M103, ISM11 CM876 SN, M11 CELECT, M11 CELECT PLUS, M11 MECHANICAL, QSM11 CM570, QSM11 CM876			



[SMALL](#) | [MEDIUM](#) | [LARGE](#)

Cart	Ref No	Part Number	Part Description	Required	Remarks
<a href="#">View My Cart</a>					
		TP2832-02	Turbocharger Plumbing		

					Turbocharger Plumbing
					Turbocharger Location: Low
					Mount
					Exhaust Outlet Location:
					Rear Out
					Engine Aspiration: Charged
					Air Cooled
					Turbo C/L Vertically from
					Crank C/L: 353.00mm (13.9 in)
					Turbo C/L Horizontally from
					Crank C/L: 361.00mm
					(14.21 in)
					Turbo Oil Supply Line End
					Angle: 120
					Oil Supply Line Type: O Ring
					Face Seal
					Wastegate Rod-to-Crank Angle
					(Deg): 90
					FFOB to Turbo Compressor
					Inlet Flange: 293, 294, or
					269
<input type="checkbox"/>	1	3047340	Male Union Elbow	1	1 1/16-12x1 1/16-12 (90deg)
<input type="checkbox"/>	2	3046943	O-Ring Seal	1	
<input type="checkbox"/>		3081950	Male Union	2	1 - 14 x 3/4 - 16
<input type="checkbox"/>	3	3037537	O-Ring Seal	1	
	4	3085824	Male Union	1	Service as 3081950
<input type="checkbox"/>	5	3922794	O-Ring Seal	1	
<input type="checkbox"/>	6	3899343	Turbocharger Gasket	1	

<input type="checkbox"/>	7	<a href="#">3899508</a>	Turbocharger Oil Drain Connection	1	
<input type="checkbox"/>	8	<a href="#">4022841</a>	Flexible Hose	1	
<input type="checkbox"/>	9	<a href="#">3025802</a>	Hexagon Head Cap Screw	2	M8 x 1.25 x 20

© 2019 Cummins Inc., Box 3005, Columbus, IN 47202-3005 U.S.A.  
Terms of Use and Disclaimers | Recommended System Requirements  
Need Assistance? Please click on the Contact Us button in the top right corner of any page.